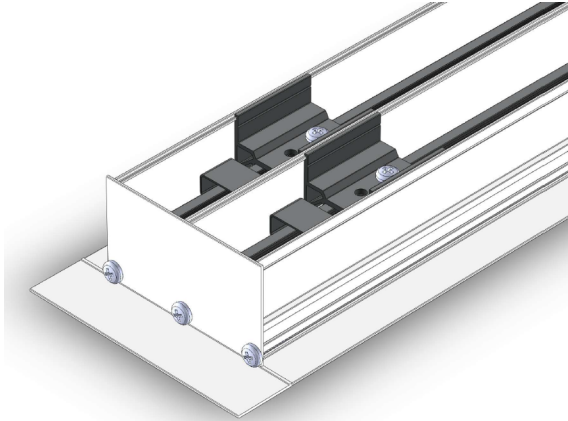
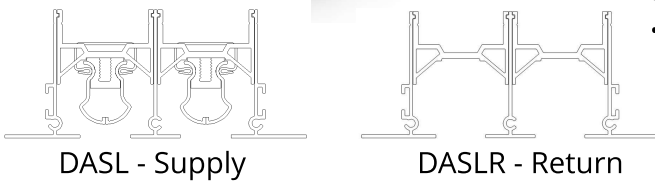


Slot Linear Diffuser



DASL

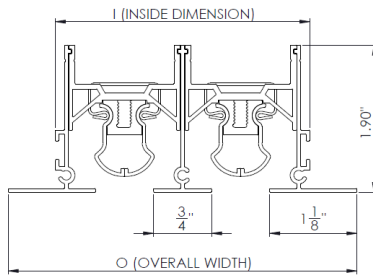
- Fully extruded aluminum construction
- Diffusers available with 1 to 4 slots
- Available with 1/2" - 3/4" - 1" slot widths
- Aerodynamic ice-tong controllers allow for 180° pattern control. Controllers made from extruded aluminum for corrosion resistance and reduced noise
- Available in any length. Lengths over 84" are joined together with provided alignment pins for continuous appearance
- Maximum length of pattern controllers is 60". Lengths over 60" will be provided with multiple pattern controllers
- Available without pattern controllers for return applications
- Durable white powder coat finish



DASL - Supply

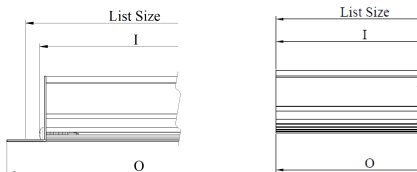
DASLR - Return

Width Dimension by Slot Size



# OF SLOTS	1/2" SLOT		3/4" SLOT		1" SLOT	
	O	I	O	I	O	I
1	2.75"	1.5"	3"	1.75"	3.25"	2"
2	4"	2.75"	4.5"	3.25"	5"	3.75"
3	5.25"	4"	6"	4.75"	6.75"	5.5"
4	6.5"	5.25"	7.5"	6.25"	8.5"	7.25"

Length Dimension for End Configurations



	E2 - Both Ends	E1 - One End	E0 - Open Ends
I Inside Dimension	List - 1/2	List - 1/4	List Size
O Outside Dimension	List + 1 1/2	List + 3/4	List Size

1. Choose Model

- DASL - Supply
 DASLR - Return

2. Select the Slot Width

- 50 - 1/2" slot
 75 - 3/4" slot
 10 - 1" slot

3. Select the Number of Slots

- 1 - 1 Slot
 2 - 2 Slots
 3 - 3 Slots
 4 - 4 Slots

4. Select the Mounting Option

- A - Screw Holes
 C - Concealed Bracket
 TB - No Mounting
 D - Concealed Screw Holes

5. Specify the End Configuration

- E2 - Both Ends
 E1 - One End
 E0 - None

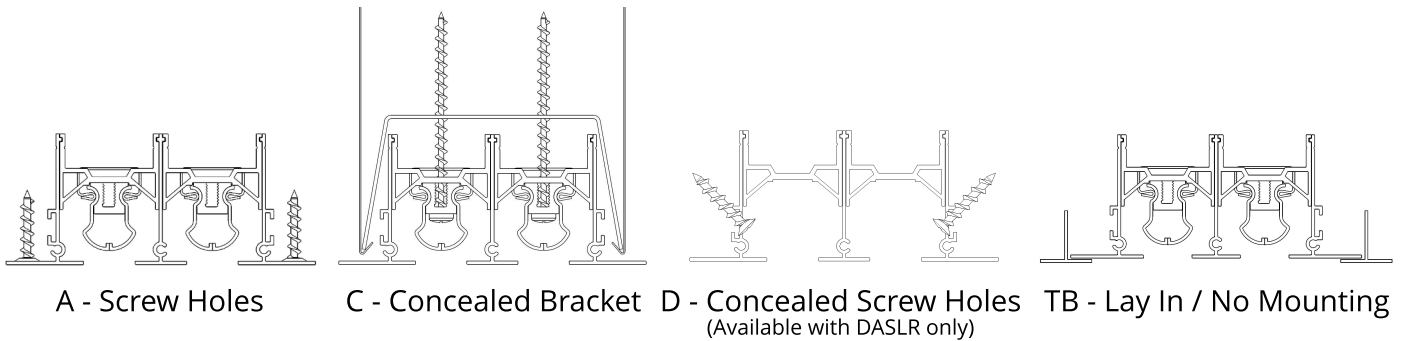
6. Specify the Length

- Inches MM _____

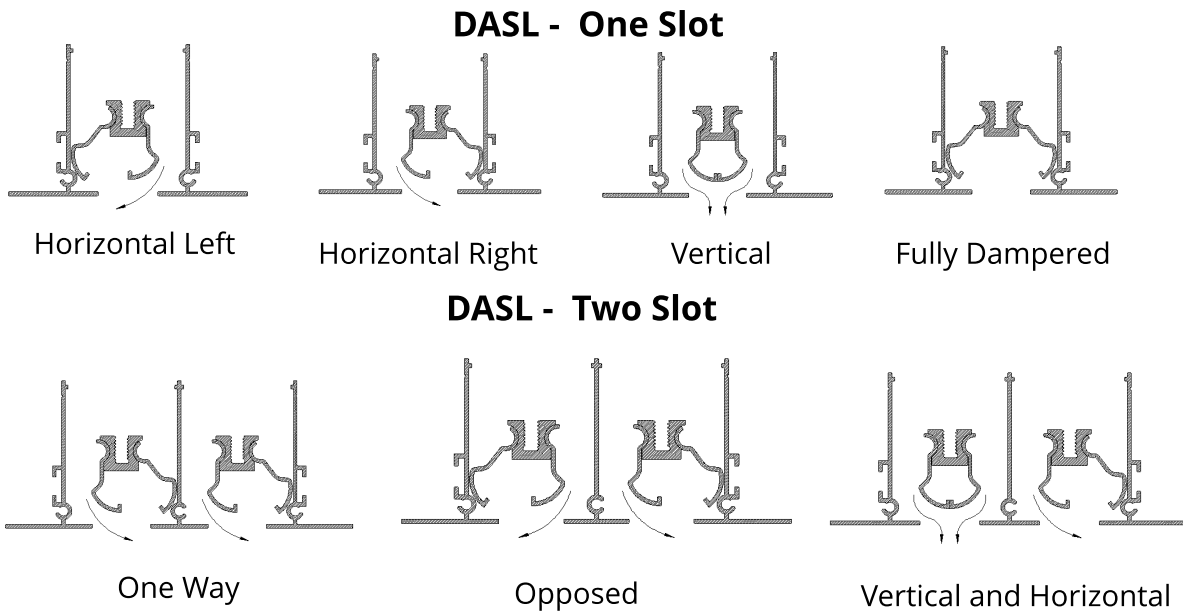
Project / Location:
Architect:
Engineer:
Contractor:

Slot Linear Diffuser

MOUNTING



AIRFLOW PATTERNS



FIELD CUTTING

DASL are ordered to length from factory but can be cut to size in the field. Use a fine tooth, high speed, carbon blade for cutting aluminum.

A maximum of 3" can be cut from each end (X).
 For adjustments of more than 2" slide the retaining clip against support. Diffusers can be adjusted up to 6" by cutting both ends.

If end caps are included remove before cutting and reattach once cut.

