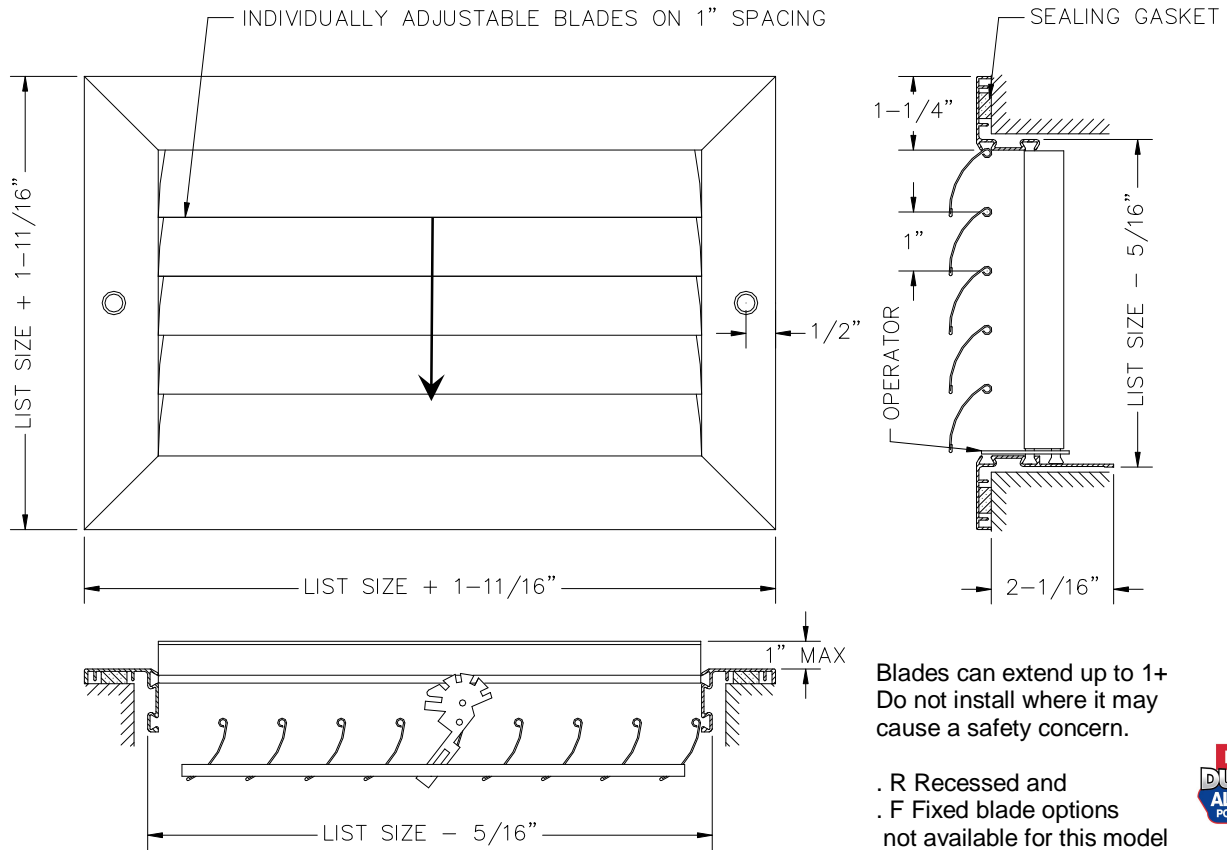


# Curved Blade Register – One Way



## DAC1HM

- One way individually adjustable horizontal curved blades on 1+ spacing allows a wider spread of air to be achieved
- Multi-Shutter Damper with handle operator
- Rollformed aluminum blade installed in an extruded aluminum frame with mechanically locked corners
- Pressure fit nylon pivot pins (rattle free & non loosening)
- Countersunk screwholes c/w painted mounting screws
- Sealing gasket to prevent steaking of walls or ceiling
- Available on 2+ increments as standard
- Custom sizes available but extra charge may apply
- Max blade length is 22+ Mullions used for larger sizes
- Durable powdercoat painted finish
- Available in White, Silver or Mill



DESCRIPTION	DAC1HM
FACE BLADES	Horizontal Adjustable
REAR BLADES	n/a
DAMPER	Multi-Shutter
MATERIAL	Aluminum
COLOR	White/Silver/Mill

JOB NAME: \_\_\_\_\_

LOCATION: \_\_\_\_\_

ARCHITECT: \_\_\_\_\_

ENGINEER: \_\_\_\_\_

CONTRACTOR: \_\_\_\_\_