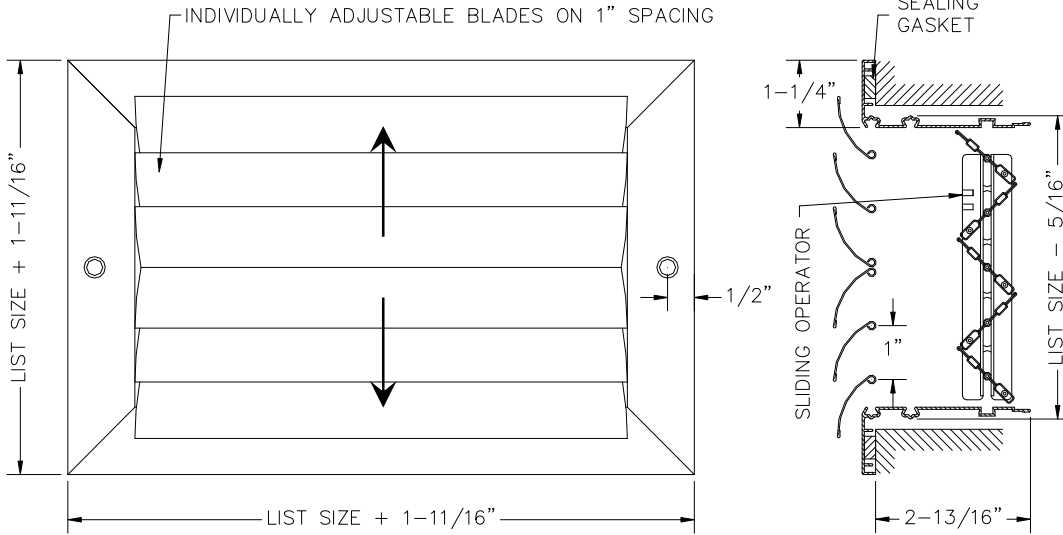


Curved Blade Register – two way

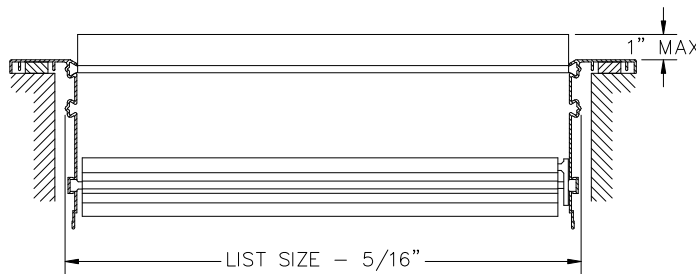


DAC2HD

- Two way individually adjustable horizontal curved blades on 1+ spacing allows a wider spread of air to be achieved
- Opposed Blade Damper with sliding operator
- Rollformed aluminum blade installed in an extruded aluminum frame with mechanically locked corners
- Pressure fit nylon pivot pins (rattle free & non loosening)
- Countersunk screwholes c/w painted mounting screws
- Sealing gasket to prevent steaking of walls or ceiling
- Available on 2+ increments as standard
- Custom sizes available but extra charge may apply
- Max blade length is 22+ Mullions used for larger sizes
- Durable powdercoat painted finish
- Available in White, Silver or Mill



Standard blade option (shown). See following page for other options



DESCRIPTION	DAC2HD
FACE BLADES	Horizontal Adjustable
REAR BLADES	n/a
DAMPER	Opposed Blade
MATERIAL	Aluminum
COLOR	White/Silver/Mill

JOB NAME: _____

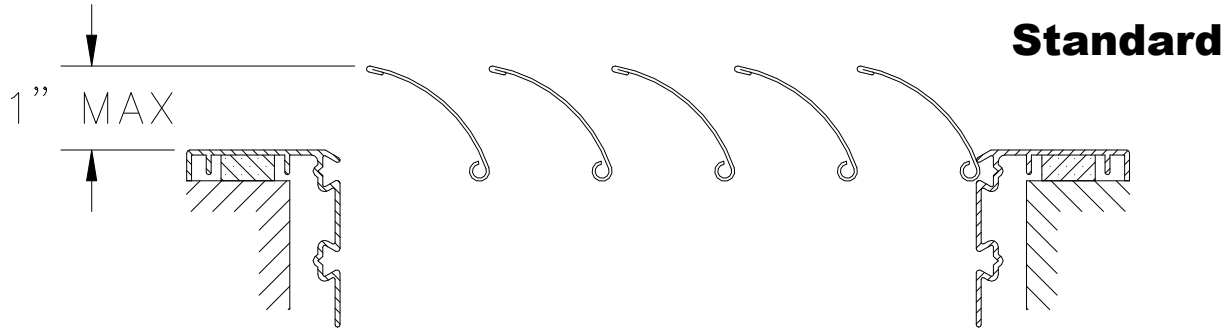
LOCATION: _____

ARCHITECT: _____

ENGINEER: _____

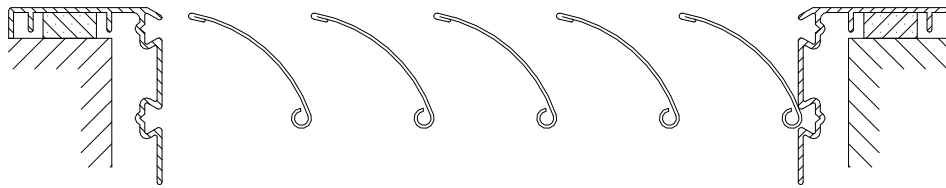
CONTRACTOR: _____

Curved Blade Register Options



Blades on the standard blade option can extend out 1+
Do not specify this blade option when in a location that may cause a safety concern

-R Recessed blades



-F Fixed Blades

