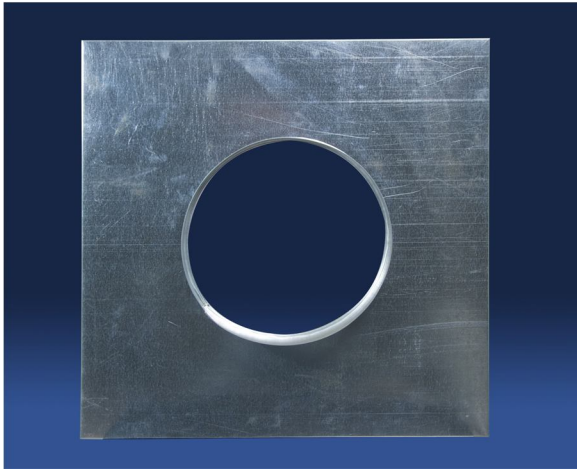
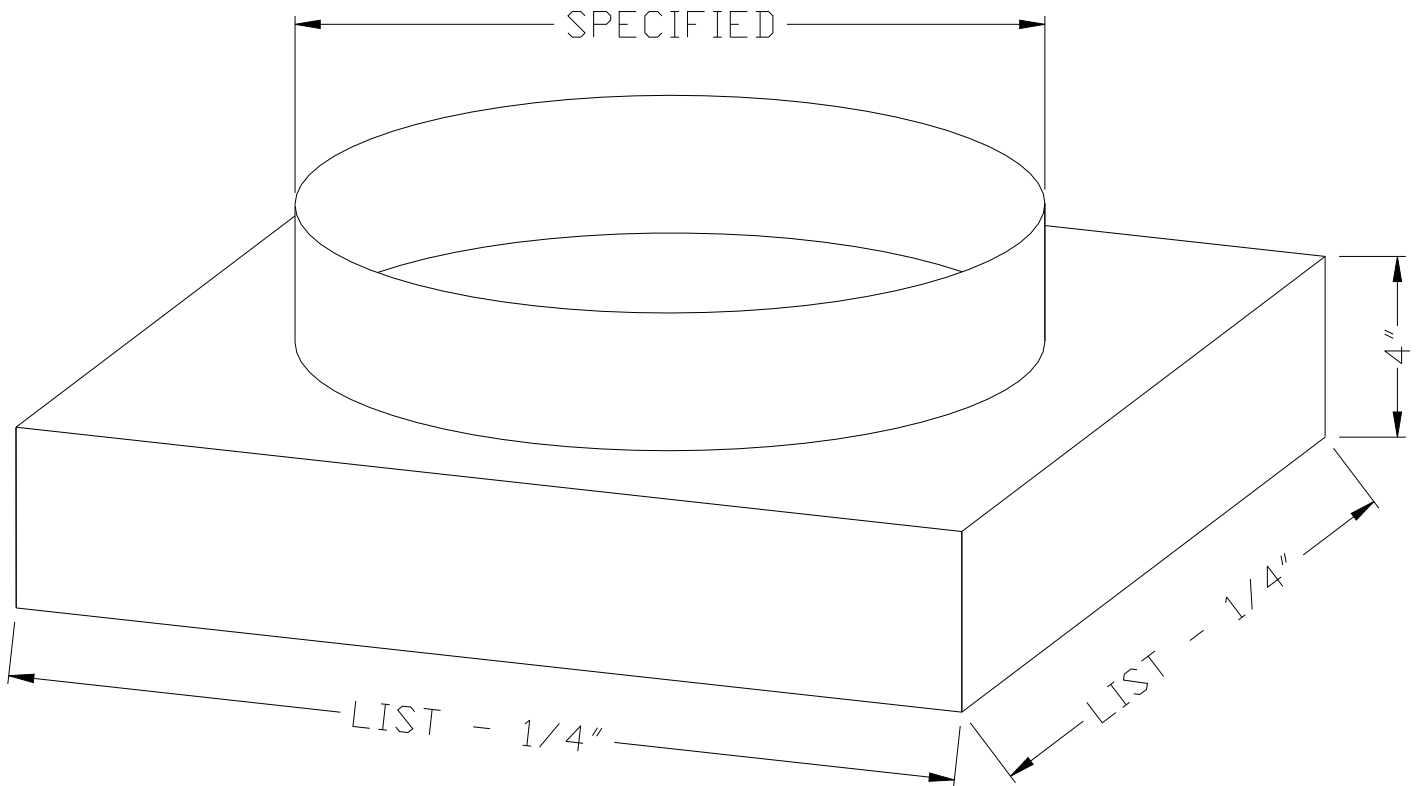


Square to Round Adapter



DSSR Ø

- 26 gauge galvanized
- Square to round adapter allows connections from rectangular grilles to round ducting
- Square dimensions available on 1" increments
- Round dimension available on 2" increments from as small as 6" to as big as 18" in diameter. (Must be smaller than the square dimension)



DESCRIPTION	DSSR Ø
FACE BLADES	n/a
REAR BLADES	n/a
DAMPER	n/a
MATERIAL	Galvanized
COLOR	Mill only

JOB NAME:	_____
LOCATION:	_____
ARCHITECT:	_____
ENGINEER:	_____
CONTRACTOR:	_____